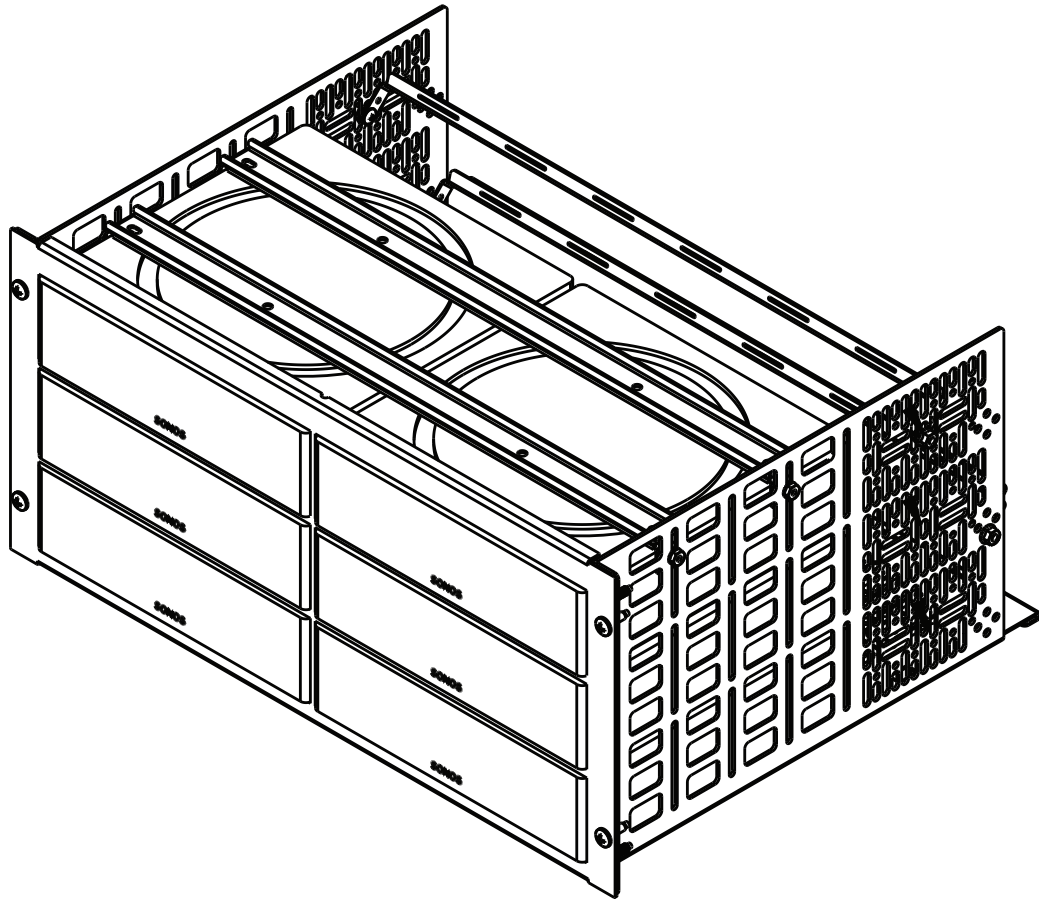


INSTRUCTION SHEET
SONOS AMP RACKSHELF
2, 4 OR 6 COMPONENT DESIGN



THANK YOU

Thank you for purchasing SONOS AMP Rackshelf. Please read all instructions thoroughly before assembling this product.

PRODUCT FEATURES

- 2, 4 or 6 component design.
- Small device mounting pattern on the shelf bottom and sides.
- Face-after faceplate design.
- Tool-less design for quick assembly.
- Adjustable cable management for rear.
- Clamp bars for securing product.

IMPORTANT SAFETY INSTRUCTIONS

- Read these instructions.
- Keep these instructions.
- Heed all warnings.
- Follow all instructions.
- Clean only with dry cloth.
- Only use attachments/accessories specified by the manufacturer.



WARNING: A warning alerts you to a situation that could result in serious personal injury or death.



WARNING: Middle Atlantic Products, Inc. electrical systems conform to and should be properly grounded in compliance with requirements of the current National Electrical Code or codes administered by local authorities. All electrical products may present a possible shock or fire hazard if improperly installed or used. Middle Atlantic Products, Inc. electrical products may bear the mark of a Nationally Recognized Testing Laboratory (NRTL) and should be installed in conformance with current local and/or the National Electrical Code.



WARNING: Failure to read, understand and follow the following information can result in serious personal injury, damage to the equipment or voiding of the warranty. It is the responsibility of the Installer/User to ensure that this product is loaded according to specifications.

INSTRUCTIONS IMPORTANTES SUR LA SÉCURITÉ

- Lire ces instructions.
- Conservez ces instructions.
- Respectez tous les avertissements.
- Suivez toutes les instructions.
- Nettoyer uniquement avec un chiffon sec.
- N'utilisez que des accessoires spécifiés par le fabricant.



AVERTISSEMENT: Un avertissement vous avertit d'une situation pouvant entraîner des blessures graves ou la mort.

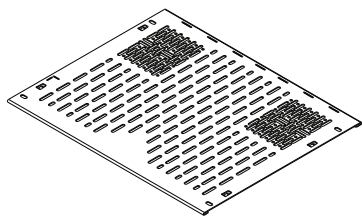


AVERTISSEMENT: Middle Atlantic Products, Inc. électrique systèmes conformes à devraient être mis à la terre dans conformité avec les exigences de la National actuelle ou comme les codes électrique administré par les autorités locales autorités. Tous les produits électriques peuvent présenter un choc ou un incendie danger si elle est mal installé ou utilisé. Middle Atlantic Products, Inc. produits électriques peuvent porter la marque d'un Nationally Recognized Testing Laboratory (NRTL) et doit être installé en conformité avec courant local et/ou le National Electrical Code.



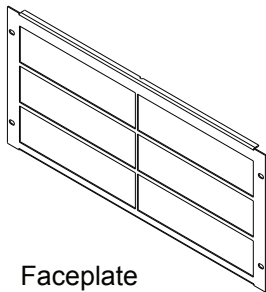
AVERTISSEMENT: Refus de lire, comprendre et suivre la renseignements suivants peut traduire par de graves blessures, des dommages à l'équipement ou invalider la garantie. Il est la responsabilité de l'installateur / utilisateur de s'assurer que ce produit est chargé conformément aux spécifications.

SUPPLIED COMPONENTS AND HARDWARE



Shelf Bottom 14" depth

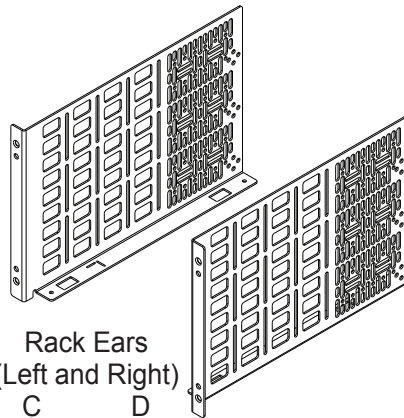
A



Faceplate

2, 4 or 6 Component available
(6 Component shown)

B



Rack Ears
(Left and Right)

C

D



(4x)
8-32 Stud
K

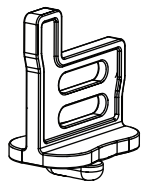


(4x)
8-32 Star Nut
L



8-32 X .375
Screw Phl
M

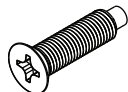
Model	Qty.
2RU	2
4RU	4
5RU	4



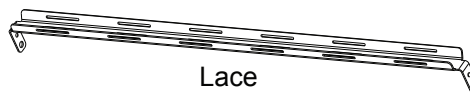
(4x)
Stop Bracket
E



(4x)
Plastic Rivet
F



(4x)
10-32 x 3/4"
Flat Head Screw
G



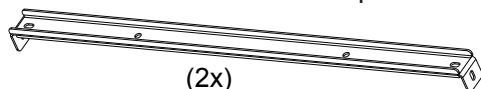
Lace
J

Model	Qty.
2RU	1
4RU	2
5RU	2



8-32 Flange Nut
N

Model	Qty.
2RU	2
4RU	4
5RU	4



(2x)
Clamp
H

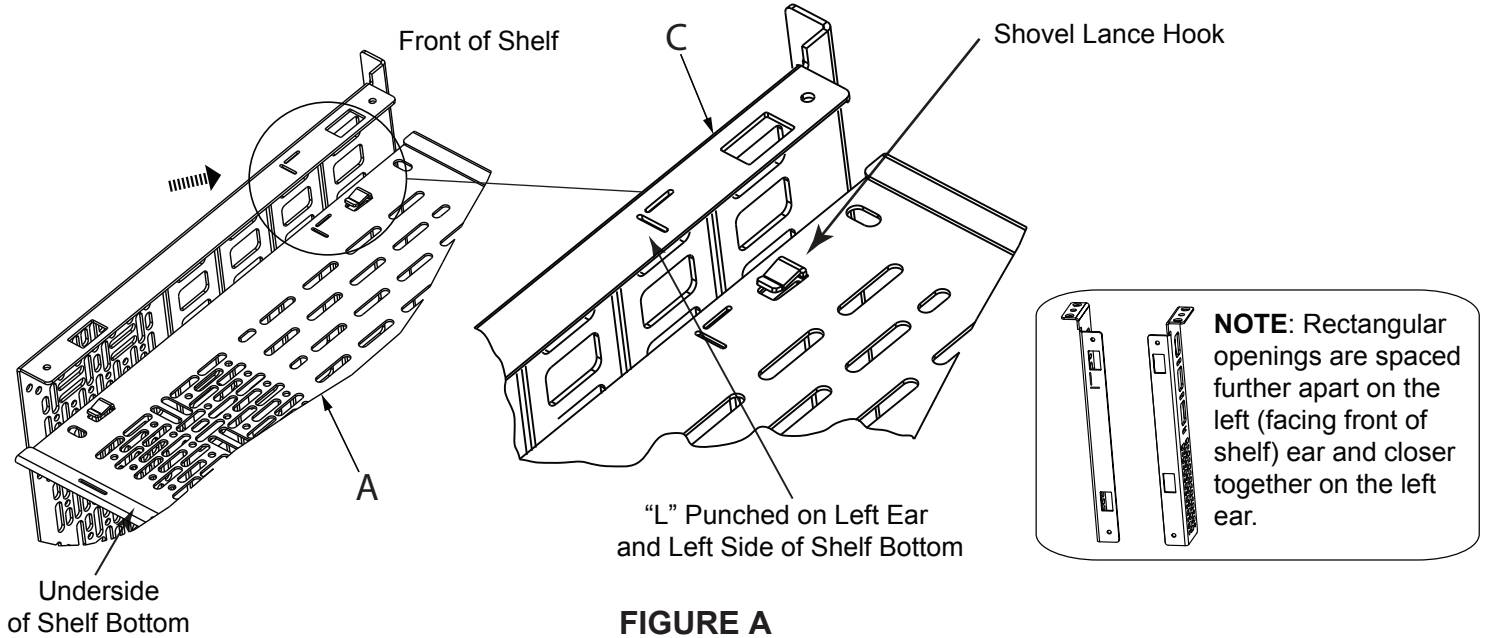
REQUIRED HARDWARE AND TOOLS

- Standard 10-32 Rack Screws
- No. 2 Phillips Driver
- 11/32" Wrench (Provided)

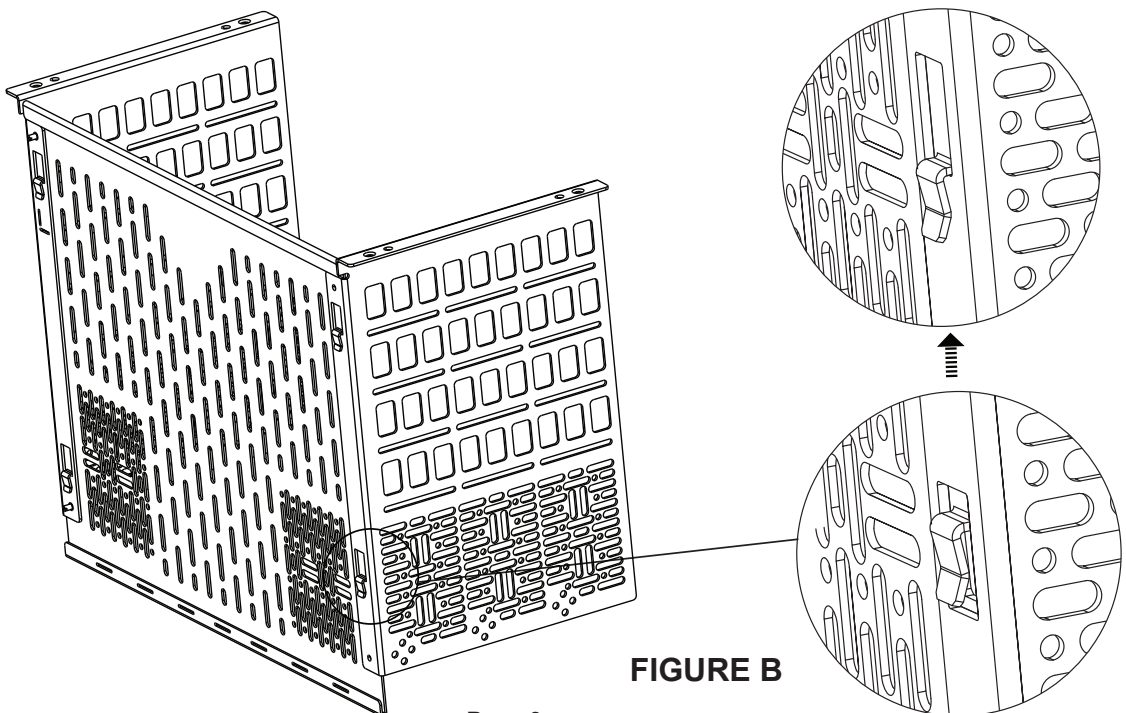
RACK EAR ASSEMBLY

1. With the Shovel Lance hooks on shelf bottom (A) pointing down, place rectangular openings on ear over hooks. (**FIGURE A**)

NOTE: An "L" is punched on the left rack ear (C) and left side of the shelf bottom (facing front of shelf) for matching the correct ear.



2. Push up on the ear toward the front of the shelf until the Shovel Lance hook on shelf bottom fully engages the ear. Repeat the process on the opposite side. (**FIGURE B**)



RACK EAR ASSEMBLY (CONTINUED)

3. To lock rack ears (C) and (D) in place, install a plastic rivet (F) into the front corner shelf holes by pushing down on the rivet head to secure it into place. Repeat the process on the rear corners of the shelf (A). (**FIGURE C**)

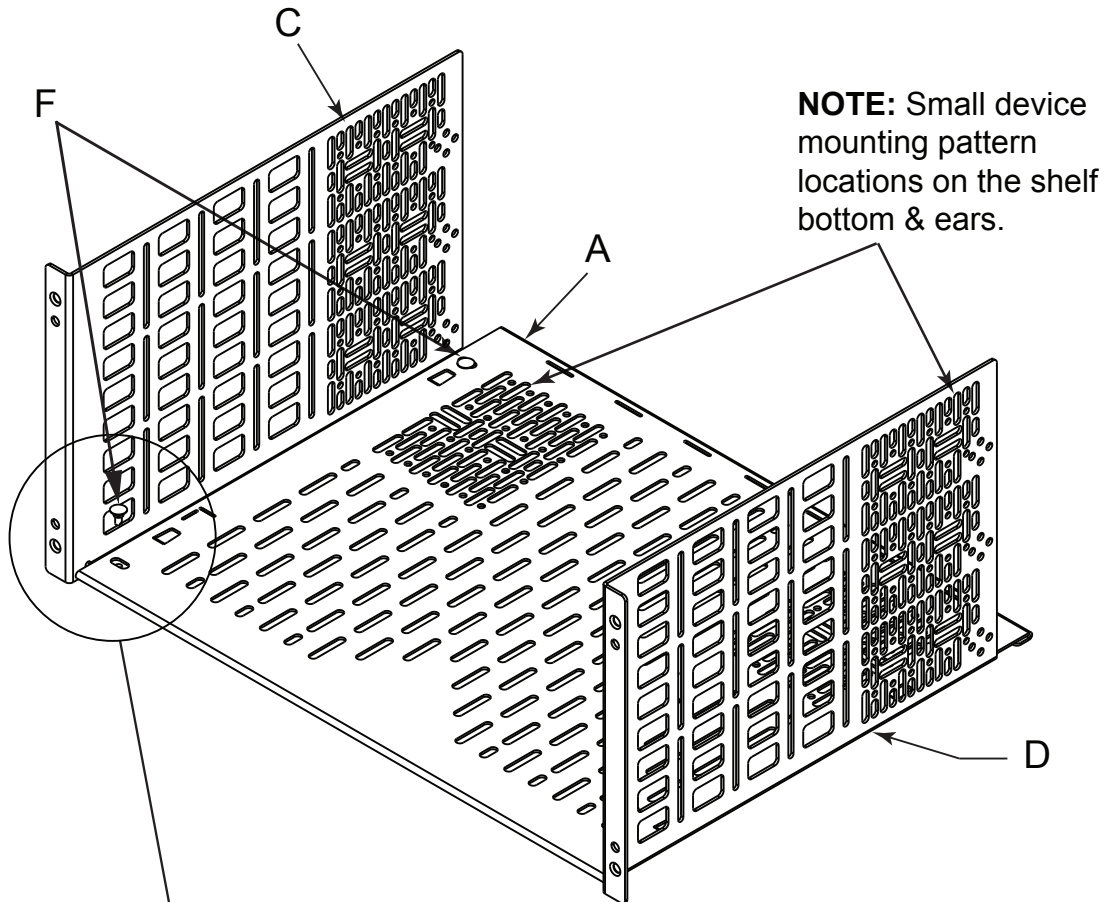


FIGURE C

A circular inset provides a close-up view of the shelf corner where the rivet (F) is being installed. The rivet is shown being pushed into a hole in the shelf bottom. The diagram also shows the shelf's edge and the rack ear's attachment point.

NOTE: For wide components where rivets may interfere with feet, do not install rivets in the front holes. A minimum of one rivet must be installed to lock each ear to the shelf bottom.

INSTALLING CLAMPS

1. Install clamps (H) at desired locations. Secure both clamps (H) into place using (4x) 8-32 studs (K) and (4x) star nuts (L) provided. **(FIGURE D)**
2. Leave clamps (H) loose until component(s) are in desired locations.

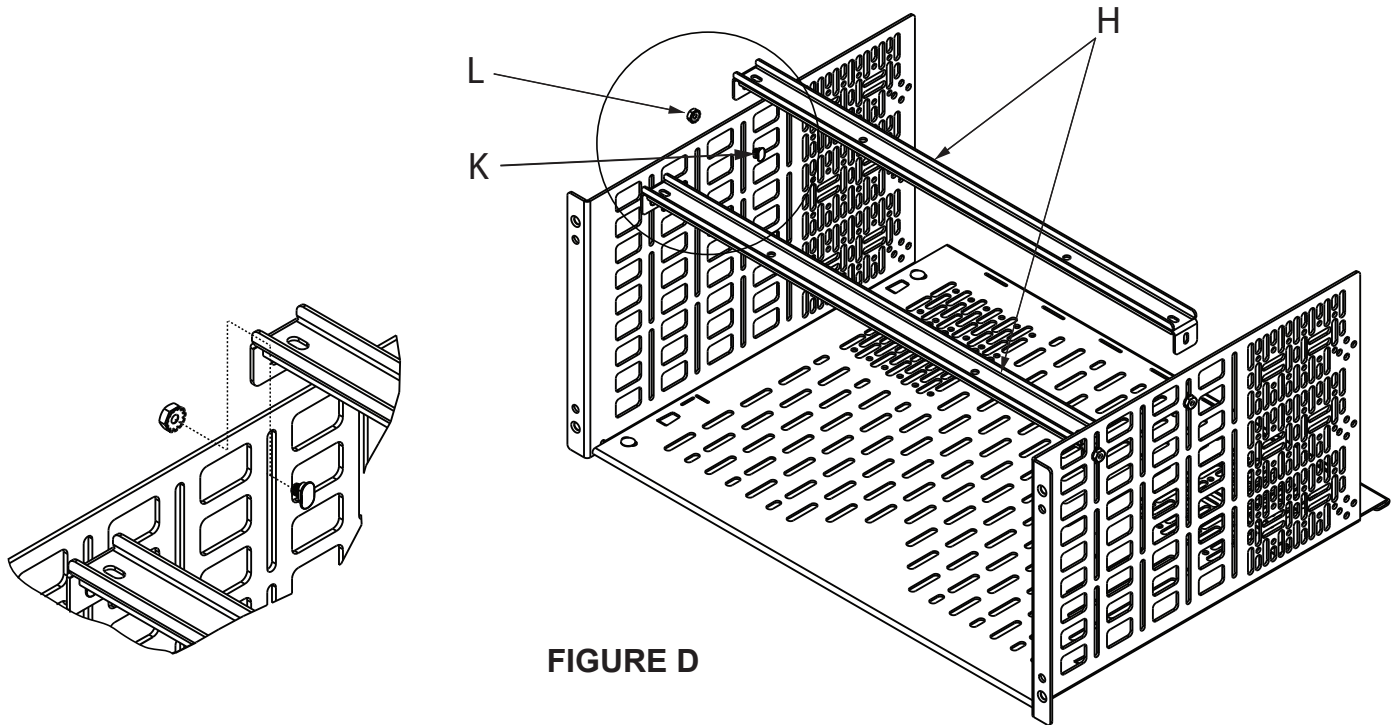


FIGURE D

SETTING THE STOP BRACKETS

1. Place your component onto the rackshelf from the rear, holding the face of your component through the faceplate cutout. **(FIGURE E)**

NOTE: Move slowly when placing the component to protect the face from scratches or any other harm.

2. Install stop brackets (E) behind your component into the vent holes as shown. Turn brackets 90° to secure them into place. The stop brackets should be touching the rear of your component. **(FIGURE E)**

NOTE: The stop brackets (E) have a low and high side to better accommodate different component heights and connections.

3. Tighten clamps (H) once component(s) are at desired locations.

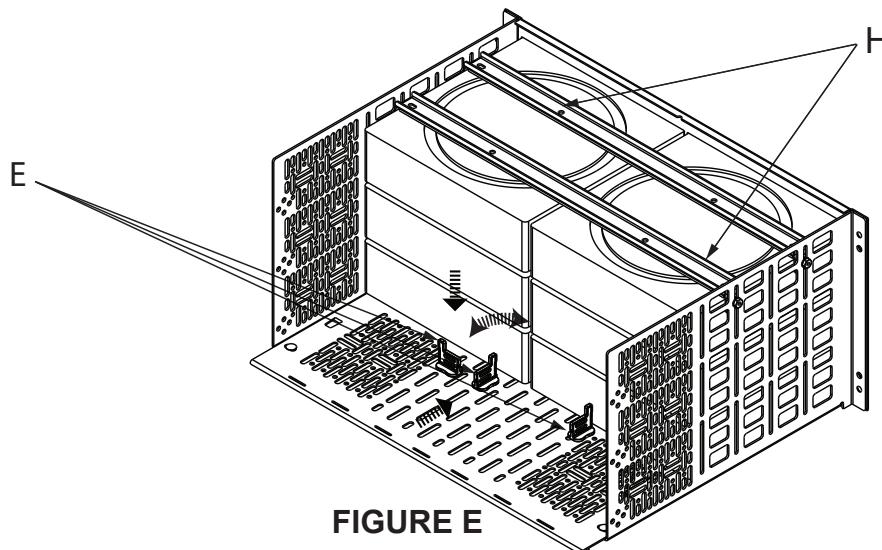


FIGURE E

INSTALLING CABLE MANAGEMENT

1. Install cable management lace (J) at desired locations. Secure both into place using (4x) phillips head screws (M) and (4x) flange nuts (N) provided. **(FIGURE F)**

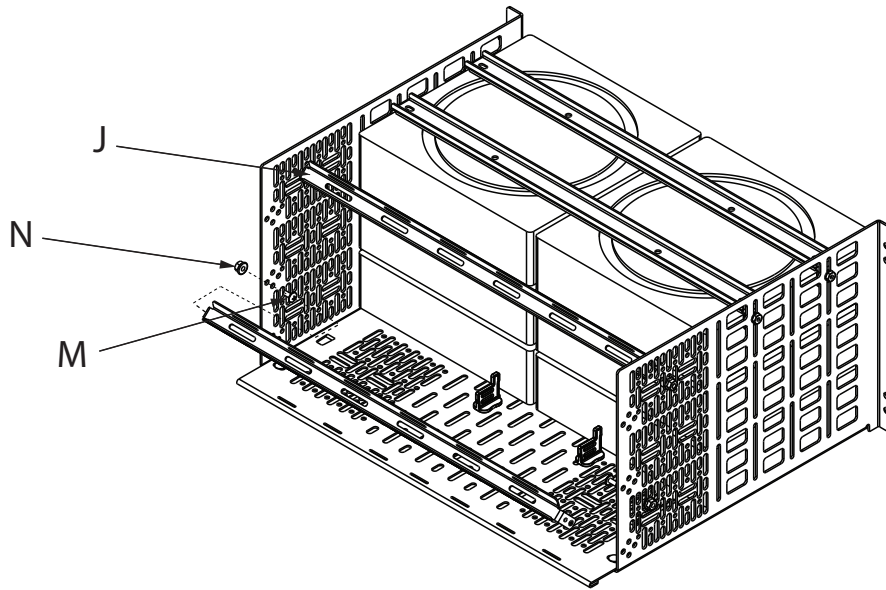


FIGURE F

ASSEMBLING TO THE RACKRAIL

1. Set aside your faceplate (B) from the rackshelf.
2. Install shelf into desired location in your rack. Secure into place using (4x) flat head screws (G) provided through the countersunk holes on the ears and into the rackrail as shown. **(FIGURE G)**

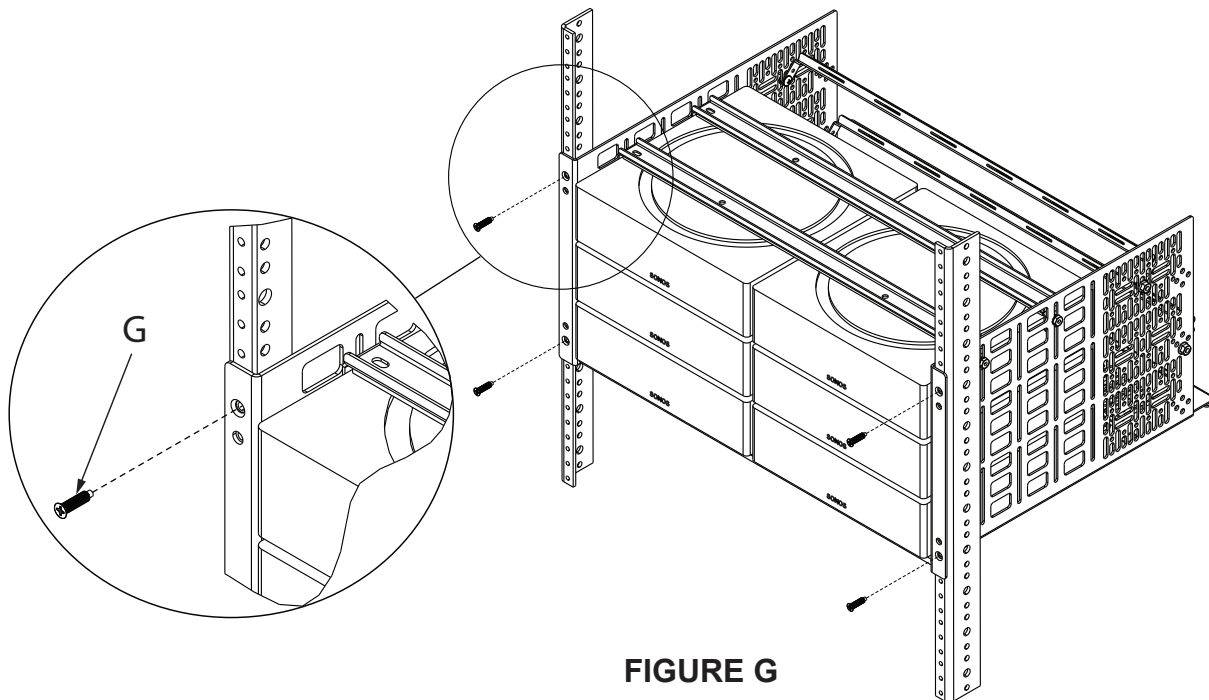


FIGURE G

NOTE:

- Pull through any cabling required for your component connections at this time.
- Components above and below the shelf may prohibit access to connections in the rear. It may require connections to be made prior to the component being placed on the shelf.

ASSEMBLING TO THE RACKRAIL (CONTINUED)

- Use (4x) 10-32 rack screws (not provided) through the rackshelf and into the rackrail to install the faceplate. (FIGURE H)

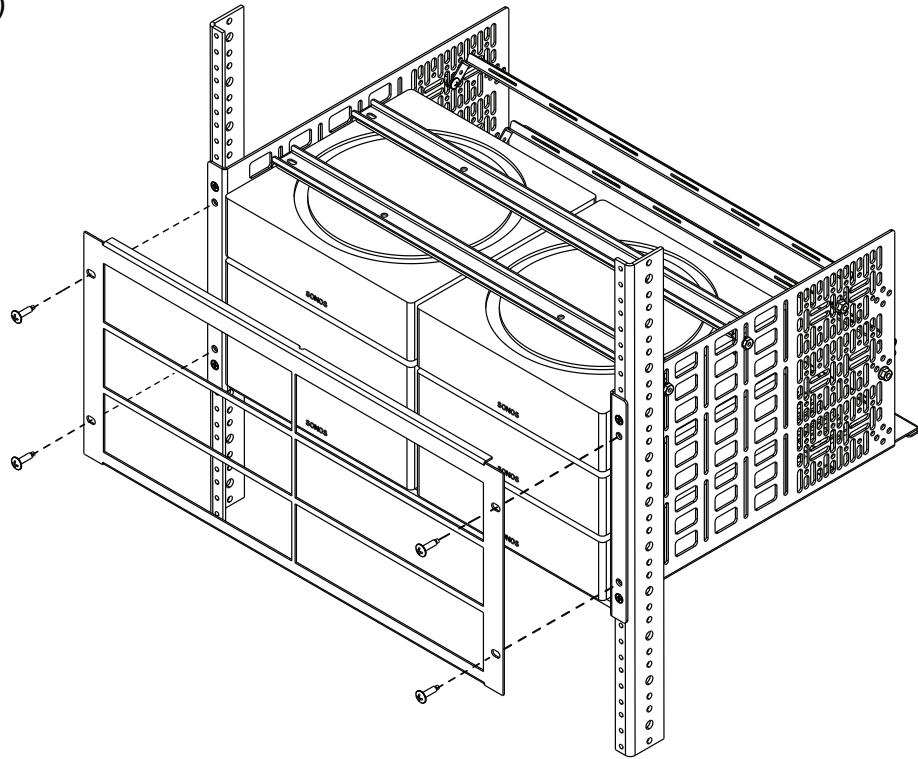


FIGURE H

WARRANTY

For warranty information, refer to <http://www.middleatlantic.com/company/about-us.aspx#warranty>

Corporate Headquarters

Corporate Voice: 973-839-1011 - Fax: 973-839-1976 / International Voice: +1 973-839-8821 -
Fax: +1 973-839-4982
www.middleatlantic.com - info@middleatlantic.com

Middle Atlantic Canada

Voice: 613-836-2501 - Fax: 613-836-2690 / ca.middleatlantic.com -
customerservicecanada@middleatlantic.ca

Factory Distribution

USA: NJ - CA - IL Canada: ON

At Middle Atlantic Products we are always listening. Your comments are welcome.

Middle Atlantic Products is an ISO 9001 and ISO 14001 Registered Company.



Middle Atlantic Products

what great systems are built on™

middleatlantic.com ■ 800.266.7225